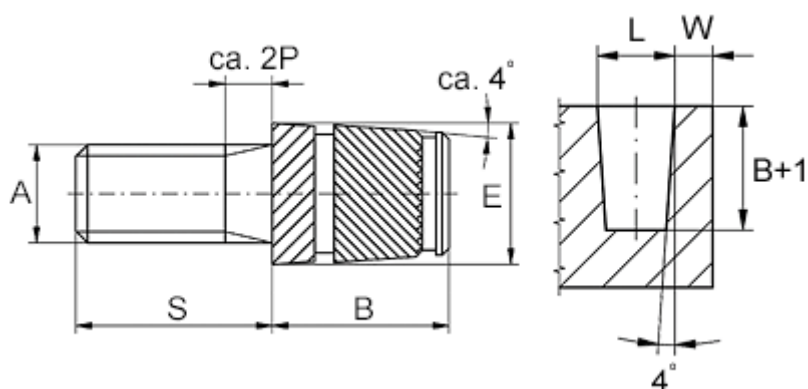


Data Sheet



Article number: 12858100060880
Description: KLEE-coil 858 100 060.880
M6 Brass

Measures



Male thread A	= M6x1
Min distance to edge W	= 2.5
Mounting length B	= 10.0
Outer diameter E	= 8.8
Pin length S	= 25
Recommended bore diameter W +0.1	= 8.5